

# MULTI JET



## TECHNICAL DATA

- Entirely built in condensation-proof impact-resistant PVC.
- ABS corner fittings.
- Alveolar PVC «curved» flap for optimum orientation of the incoming air flow.
- Air seal baloon gasket on the upper side of each flap.
- On both flap sides, beside the air seal brushes, lateral side seal gasket allow an hermetic closure.
- Smooth surface flap to improve the flow of incoming air and minimise dust deposits.
- A stainless steel clamp on both flap sides allow to adjust the closure of all flaps at the same time, tightening the link in stainless steel rod.
- Sides' outer frame with 4,5 cm bar.

Room interior view

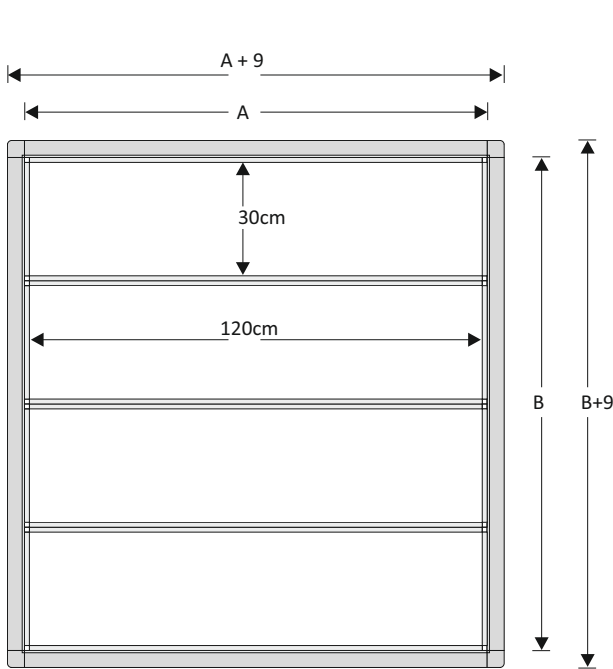


Room exterior view

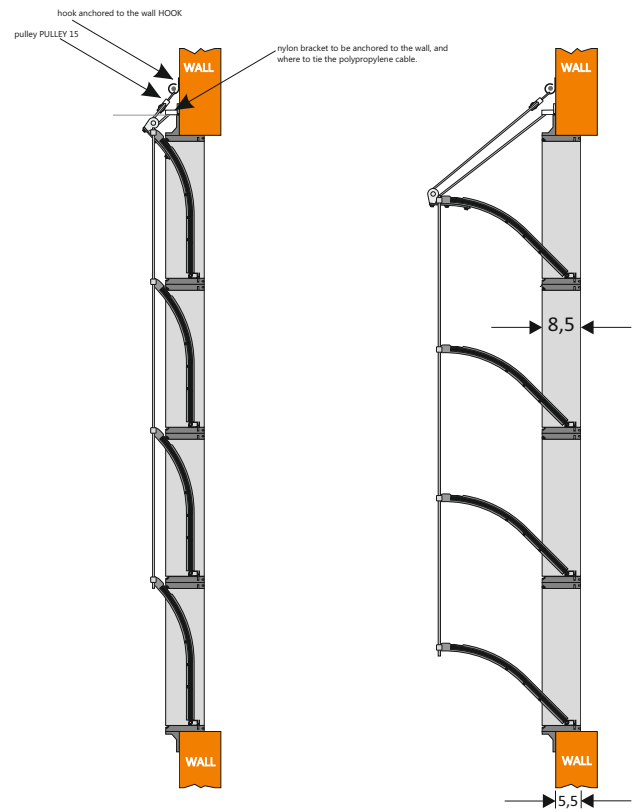


Air seal brush at the two side ends.

**SIZES AND MODELS**



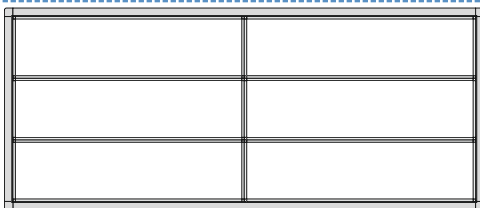
A x B = SIZES OF THE OPENING ON THE WALL  
 Sizes in cm



INDIVIDUAL MODELS



DOUBLE MODELS



**MULTI-JET 30-2**

**MULTI-JET 30-3**

**MULTI-JET 30-4**

**MULTI-JET D 30-2**

**MULTI-JET D 30-3**

N°SHEETS IN WIDTH	N°SHEETS IN HEIGHT	WIDTH A	HEIGHT B	Air flow m <sup>3</sup> /h at 20Pa
1	2	123	67	10500
1	3	123	100	15600
1	4	123	133	20500
2	2	246	67	21000
2	3	246	100	31200

EXAMPLE:

**MULTI-JET 30-4 / O**

**O**  
**T**

**FLAP**

**O** = White (not transparent)



**T** = Translucent (transparency 60%)

